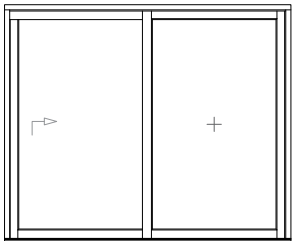
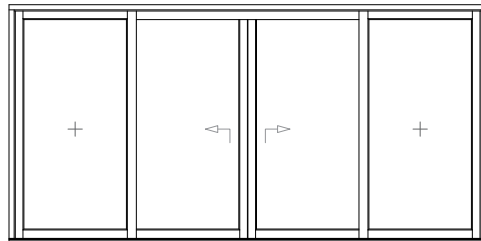



ED224T - TIMBER SLIDING DOOR

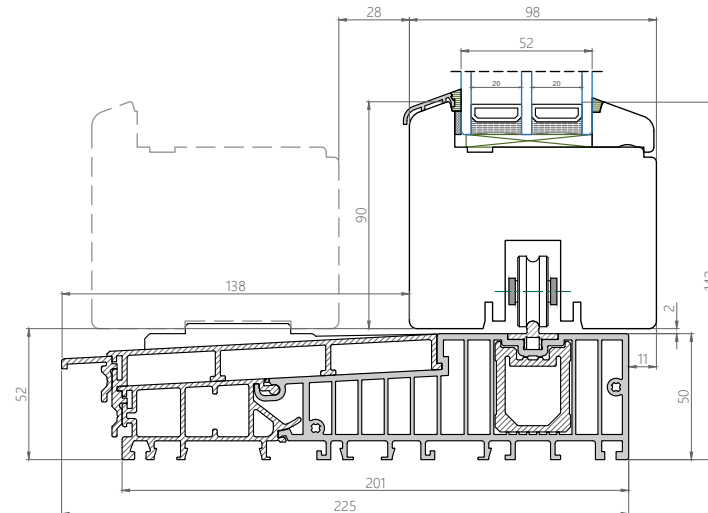
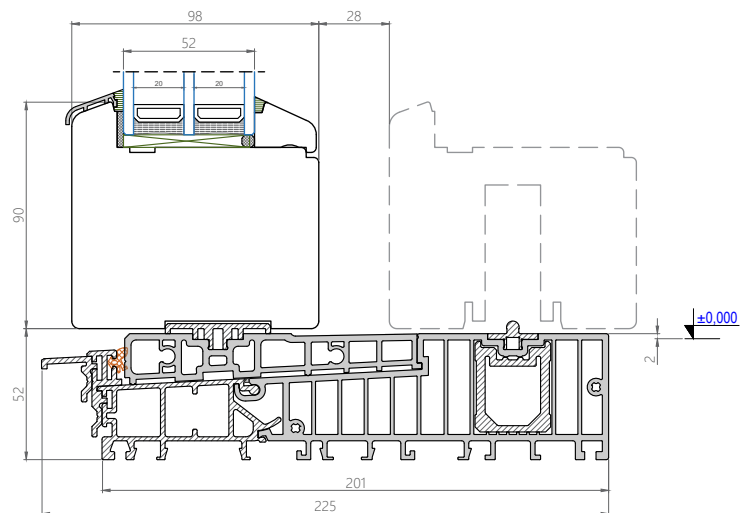
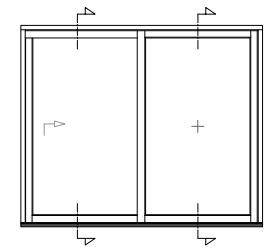
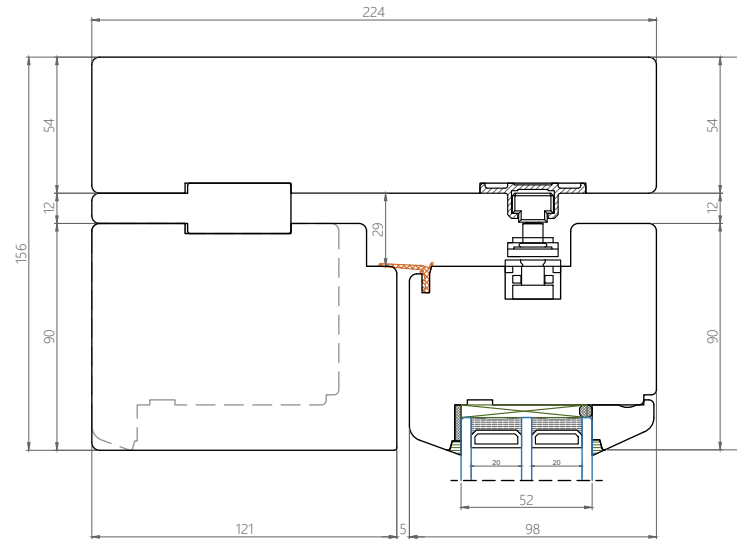
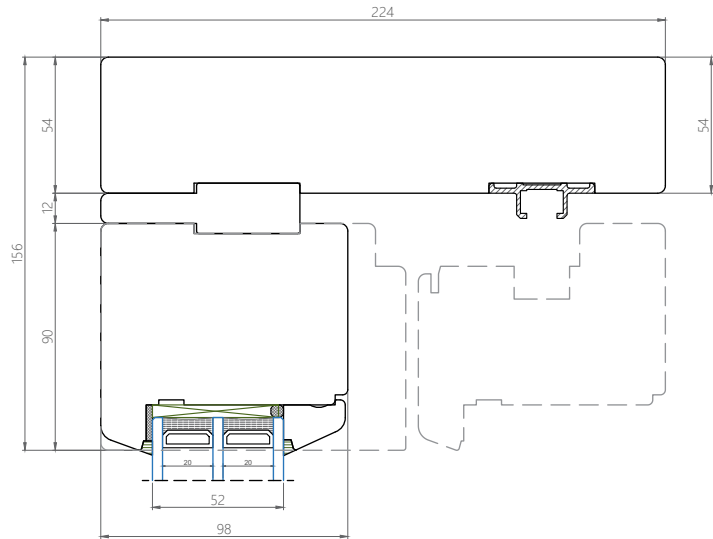
SCHEMA A



SCHEMA C



Product		
ED224T TIMBER SLIDING DOOR		
Drawing Title		
PERFORMANCE		
Glazing Unit		
Triple Glazed		
Scale	Date	Page
A4 - 1:25	2025.01	1
		



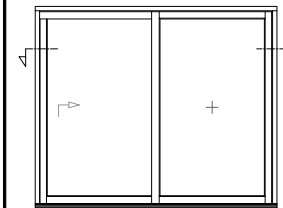
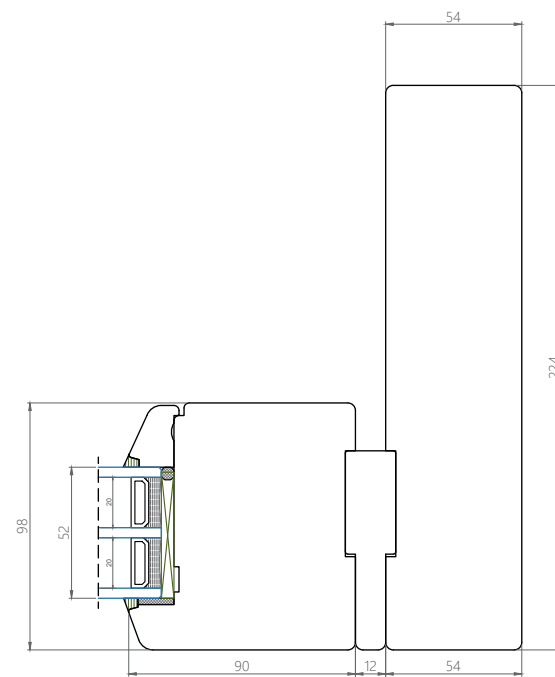
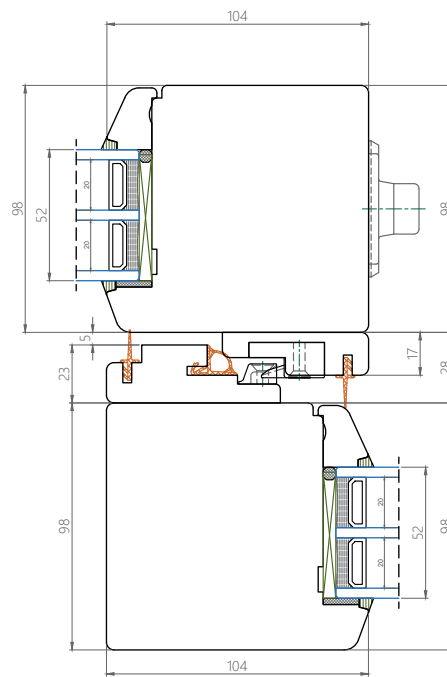
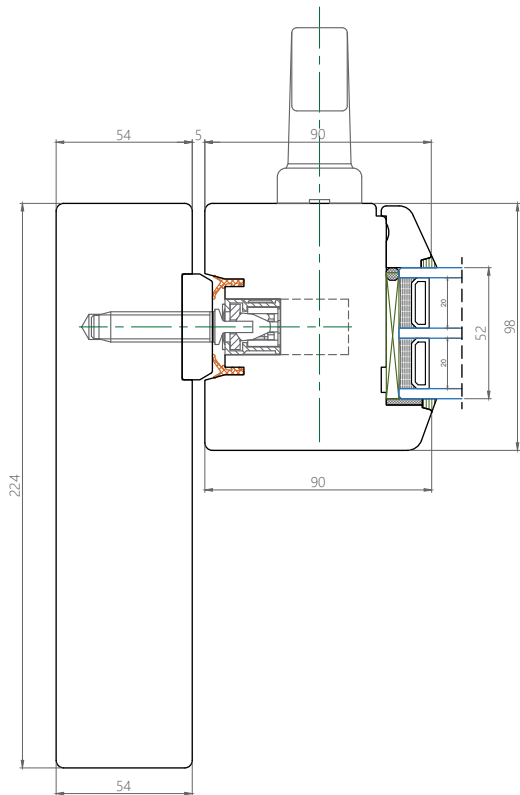
Product
ED224T
TIMBER SLIDING
DOOR

Drawing Title
VERTICAL CROSS
SECTION

Glazing Unit
Triple Glazed

Scale A4 - 1:3	Date 2025.01	Page 2
-------------------	-----------------	-----------





Product

ED224T
TIMBER SLIDING
DOOR

Drawing Title

SCHEMA A

Glazing Unit

Triple Glazed

Scale

A4 - 1:3

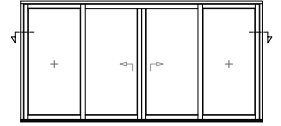
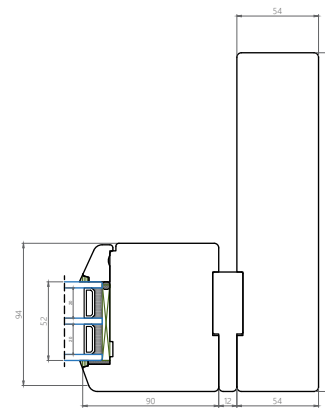
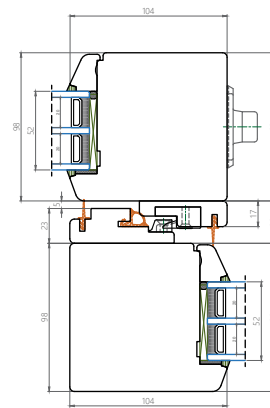
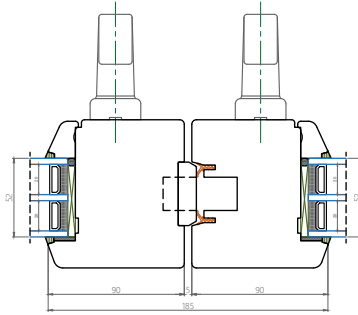
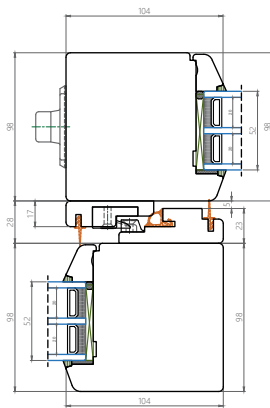
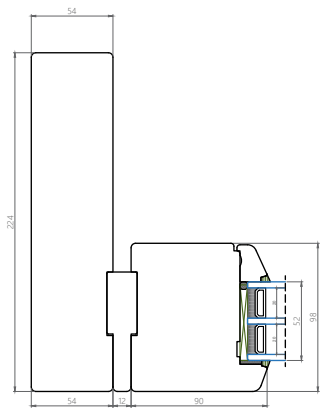
Date

2025.01

Page

3





Product

ED224T
TIMBER SLIDING
DOOR

Drawing Title

SCHEMA C

Glazing Unit

Triple Glazed

Scale

A4 - 1:5

Date

2025.01

Page

4

